



Sistemi di verniciatura industriale
automatismi ed impianti

AG-362P DeVILBISS

*The new automatic gun for the
cosmetics and glass sector.
The gun is equipped with a
precision air hood and specific
nozzles for these sectors.*



To ensure absolutely
precise control of the
quantity of product
dispensed, the gun is
equipped with a
micrometric regulator,
capable of guaranteeing
perfect dosage



The new air cap
allows
exceptional
atomization and
application
characteristics

Possibility of
having specific
sealing gaskets
to resist
corrosive
solvents and
MEK



C.M. SPRAY S.R.L. Via T. Salsa, 10 z.i. 31030 CARBONERA (TV) ITALY

Sede Legale : Via Lanzaghe, 32/D - 31057 SILEA (TV)

Tel. 0422.398768 - Fax 0422.398594 - www.cmspray.it e-mail: cmspray@cmspray.it

P.IVA 02098100262 - R.E.A. Treviso n.0188412 - Reg. Imp. TV n. 02098100262 - Cap.soc. € 10.400,00 i.v.



Sistemi di verniciatura industriale
 automatismi ed impianti

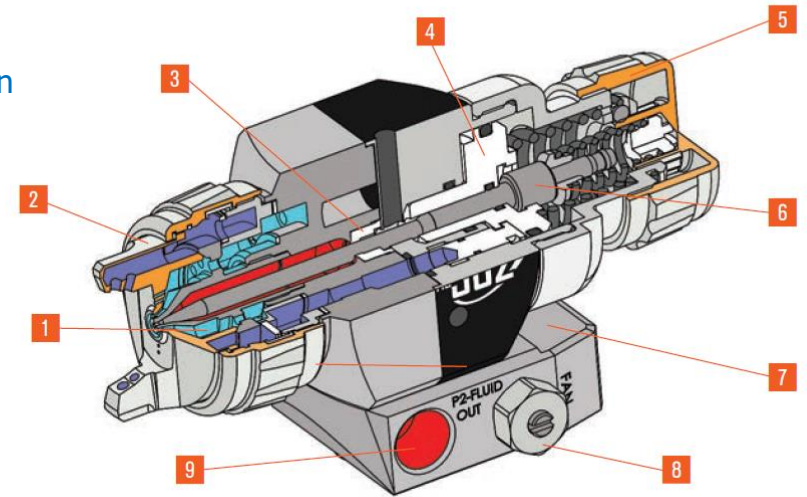
AG-362 DeVILBISS

Complete range of solutions for quality spraying, with product savings thanks to DeVilbiss technology, with various material recirculation options (in the support base, or directly in the gun head).

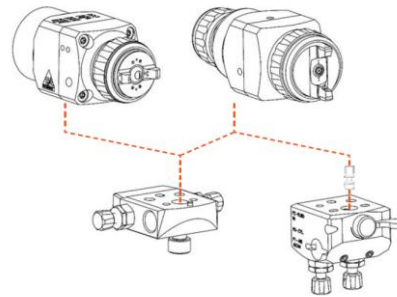


- 1 Buse
- 2 Chapeau d'air
- 3 Presse-étoupe aiguille
- 4 Piston principal
- 5 Réglage produit
- 6 Aiguille
- 7 Embase amovible
- 8 Valve d'air (2 montes possibles, ici la version surbaissée)
- 9 Arrivée produit

Gun section



Possibility of regulating the atomization air and the fan separately, both with manual control (photo on the left) and remotely (photo on the right).



C.M. SPRAY S.R.L. Via T. Salsa, 10 z.i. 31030 CARBONERA (TV) ITALY

Sede Legale : Via Lanzaghe, 32/D - 31057 SILEA (TV)

Tel. 0422.398768 - Fax 0422.398594 - www.cmspray.it e-mail: cmspray@cmspray.it

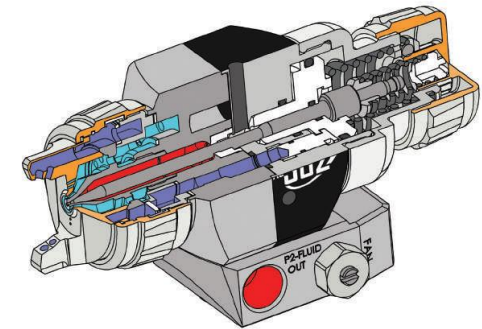
P.IVA 02098100262 - R.E.A. Treviso n.0188412 - Reg. Imp. TV n. 02098100262 - Cap.soc. € 10.400,00 i.v.



Sistemi di verniciatura industriale
automatismi ed impianti

AG-362 DeVILBISS

*The new automatic gun for the
high-end painting sector. The gun
is equipped with a precision air
hood and specific nozzles.*



Possibility of manual
adjustment of the
product with innovative
18-step ratchet
adjuster (positions).

Possibility of regulating the
atomization air and the fan
separately, with manual
control



C.M. SPRAY S.R.L. Via T. Salsa, 10 z.i. 31030 CARBONERA (TV) ITALY

Sede Legale : Via Lanzaghe, 32/D - 31057 SILEA (TV)

Tel. 0422.398768 - Fax 0422.398594 - www.cmspray.it e-mail: cmspray@cmspray.it

P.IVA 02098100262 - R.E.A. Treviso n.0188412 - Reg. Imp. TV n. 02098100262 - Cap.soc. € 10.400,00 i.v.